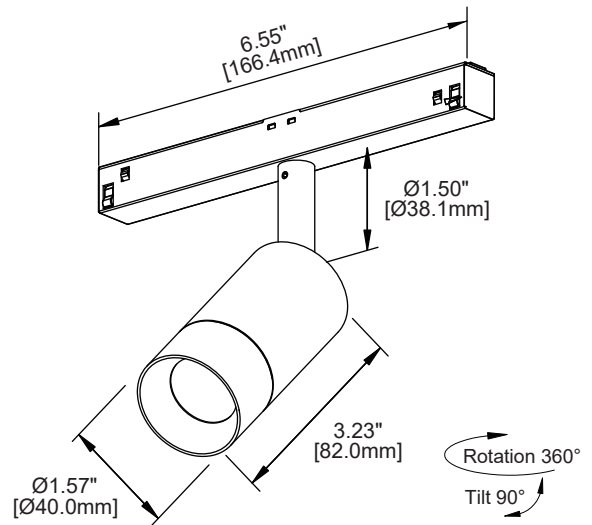


# Specification sheet

REV.3

VAL 25 TSM  
Specter Magnet 48Vdc Track System



## Description

VAL TSM exploits the latest magnetic low voltage track system to achieve maximum flexibility and convenience in installation, it features twist-lock installation mechanism, best-in-class light quality, aesthetic proportions and many more. VAL is designed to integrate with architectural space with clean and distinct outline that complement architectural aspiration.

## Features

<b>LED</b>	Lumiled Luxeon CX Plus
<b>Color temperature</b>	2700K/ 3000K/ 3500K/ 4000K
<b>Optics</b>	Spot 23° / Medium 35° / Wide 42°
<b>Driver</b>	Integrated DC-DC driver, power factor >0.90 Output current 250 mA

## Performance

<b>Delivered output</b>	Up to 668 lm(90+ CRI) /
<b>Power consumption</b>	10 W
<b>Color rendering</b>	90+ CRI
<b>CBCP</b>	Spot 2511 cd / Medium 1510 cd / Wide 1184 cd
<b>Lumen maintenance</b>	L80 B10 50,000hrs

## Electrical and Control

<b>Input voltage</b>	See the ordering code
<b>Control</b>	0-10V Dimming
<b>Feature</b>	Overload & short circuit protection

## Construction

<b>Material</b>	Casting & Extrusion grade Aluminum Alloy
<b>Finishes</b>	White body with black trim Black body with gold trim Black body with black trim
<b>Optics</b>	Field Interchangeable optics

## Rating/ Certification/ Warranty

- Dry and damp Locations
- RoHS compliant
- 5 years/ 50,000 hrs warranty

## Ordering Code Information

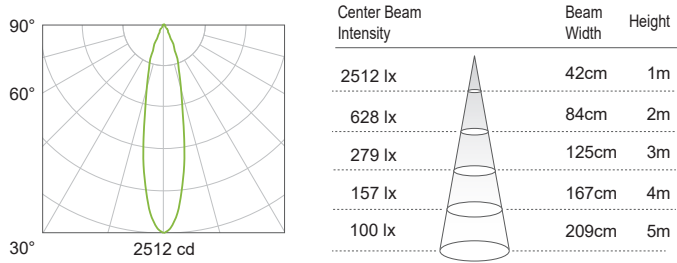
PRODUCT	SHAPE	COLOR TEMPERATURE	FINISH	BEAM ANGLE	COLOR RENDERING	INPUT / DIMMING
VAL 25 CT SM	R	27	WHBK	S	9	A
VAL 25 Track Cylinder / Specter Magnet 48Vdc Track System	R (Round)	27 (2700K) 30 (3000K) 35 (3500K) 40 (4000K)	WHBK (White/Black) BKGD (Black/Gold) BKBK (Black/Black)	S (Spot/ 23 deg.) M (Medium / 35 deg.) W (Wide / 42 deg.)	9 (90 CRI+)	A (0-10V Dimming) D (DALI Dimming)

## Photometrics

10W | 90CRI | 3000K | White body with Black trim

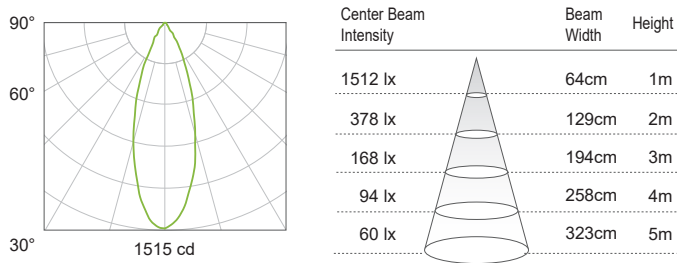
### Spot 23°

Delivered Output : 613 lm | CBCP : 2511 cd | Beam Angle : 23°



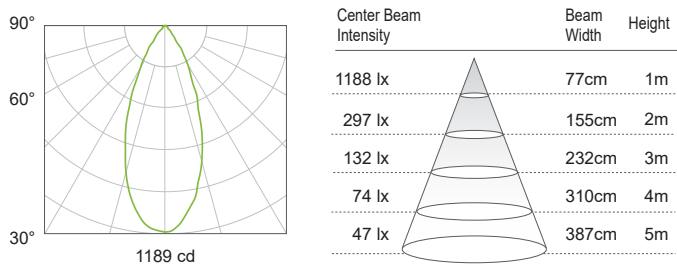
### Medium 35°

Delivered Output : 646 lm | CBCP : 1510 cd | Beam Angle : 35°



### Wide 42°

Delivered Output : 668 lm | CBCP : 1184 cd | Beam Angle : 42°



## Optional Accessory

Product	ACC.
VAL25	HCL
VAL 25	HCL Honey Comb Louver



Product	ACC.
VAL 25	CL
VAL 25	CL Clear Lens

